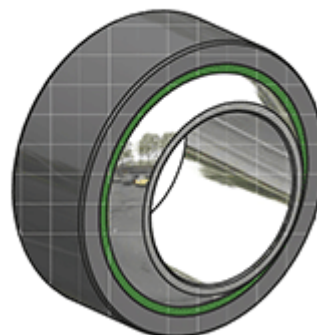
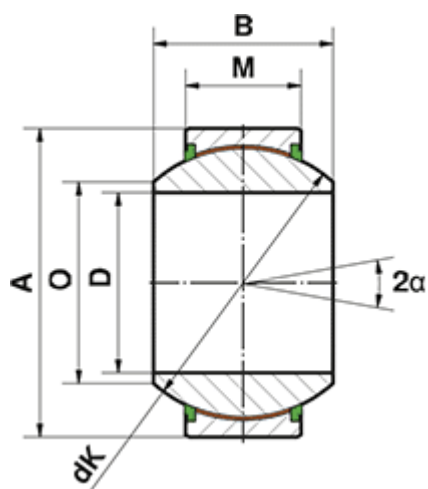


Article number: 03446045

Description: Fluro Heavy Duty Spherical Plain Bearing GE 45 GW-2RS  
Hole Ø45

Note: 45

## Measures



|             |      |                           |
|-------------|------|---------------------------|
|             | = -  | Dynamic load C (kN) = 442 |
|             | = -  | M = 28                    |
|             | = -  | O = 50                    |
| A           | = 75 | Static load C0 (kN) = 737 |
| a (degrees) | = 15 | Weight (g) = 670          |
| B           | = 43 |                           |
| D           | = 45 |                           |
| dK          | = 66 |                           |